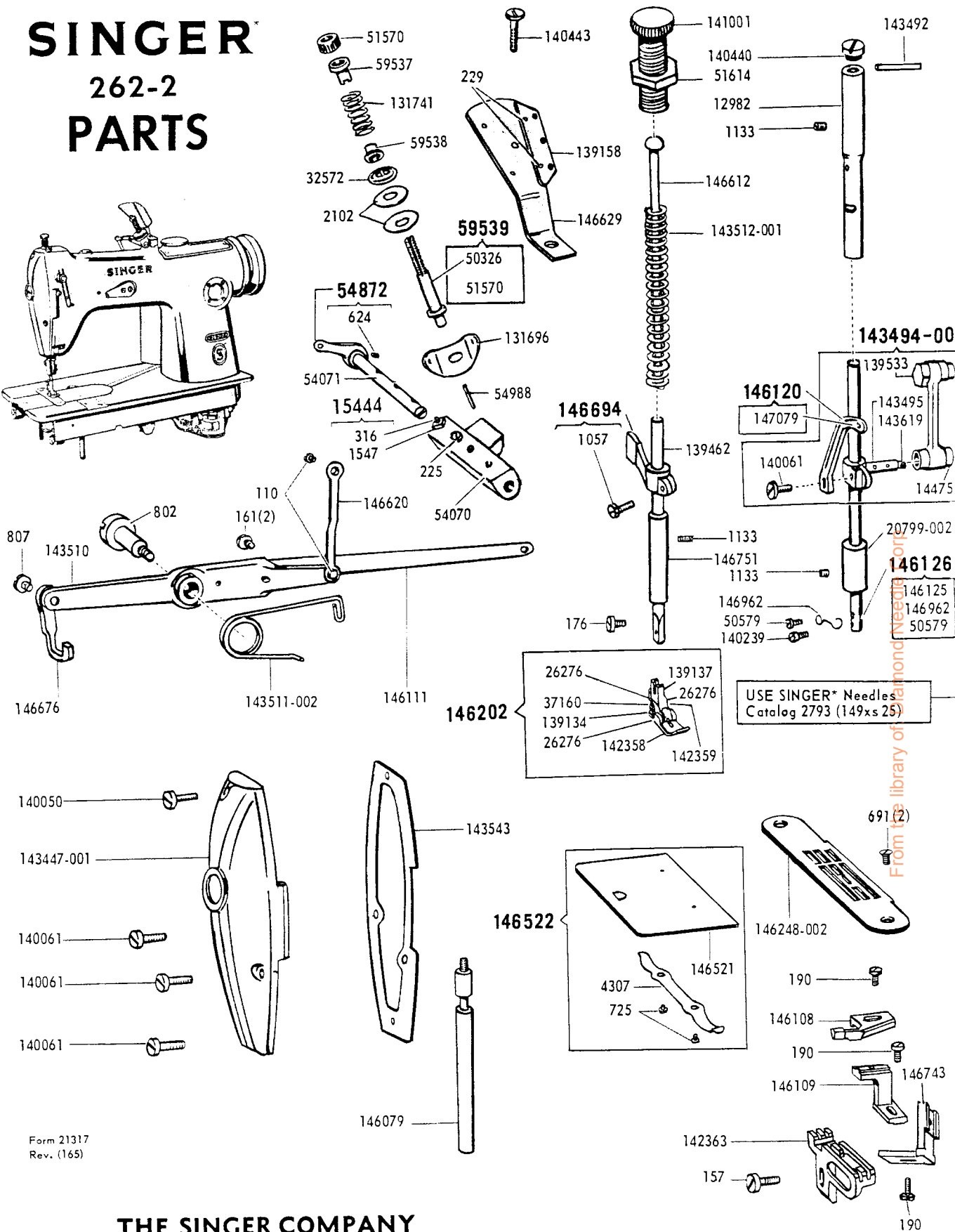
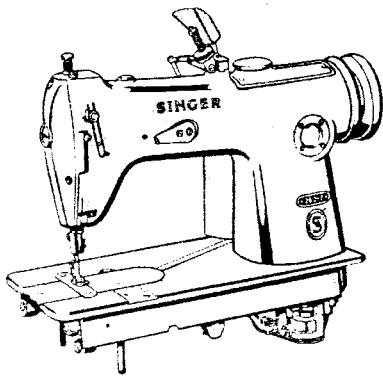


# SINGER

## 262-2

# SINGER® 262-2 PARTS



Form 21317  
Rev. (165)

## THE SINGER COMPANY

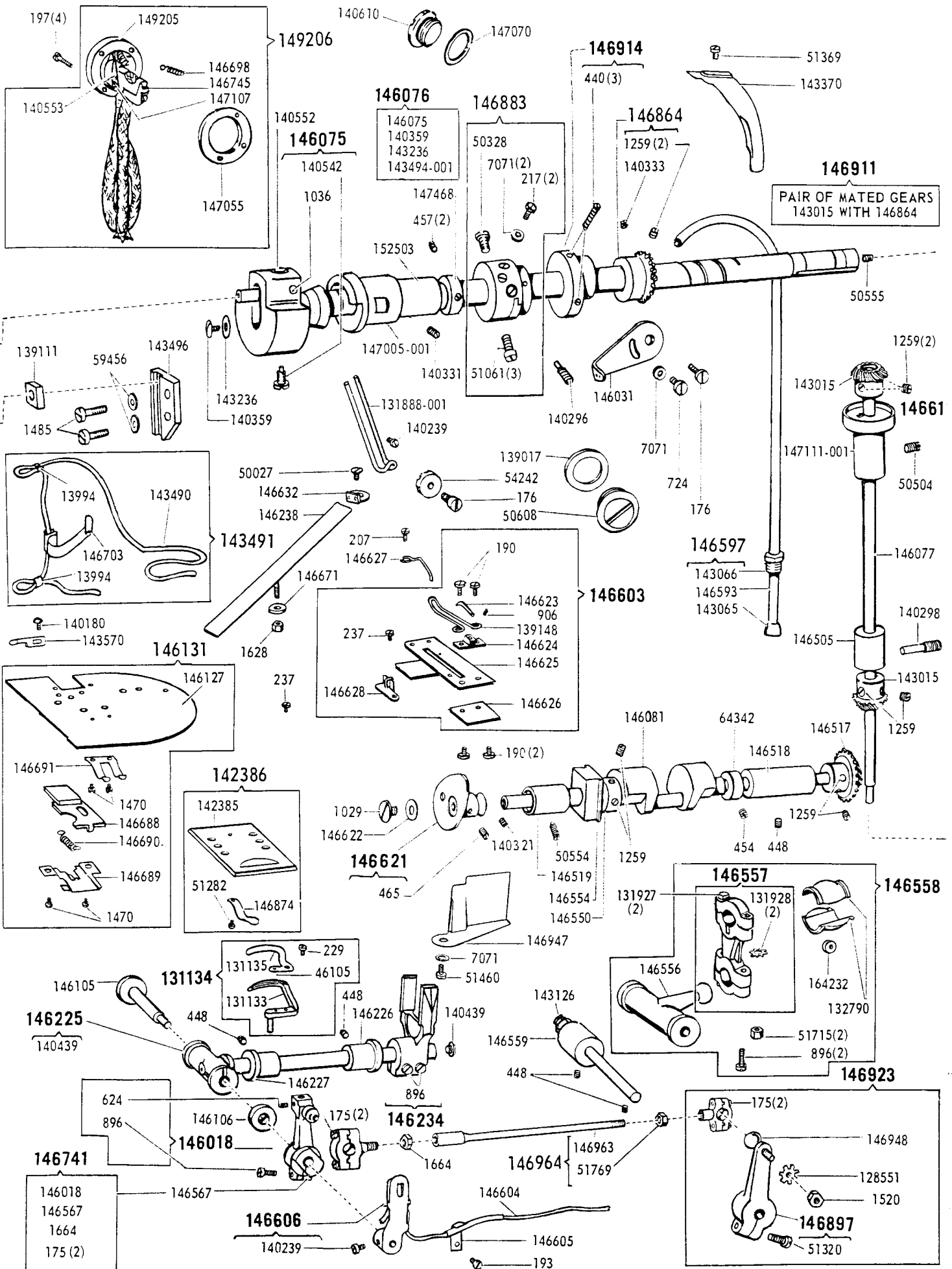
Copyright © 1964 by The Singer Company  
Copyright Under International Copyright Union  
All Rights Reserved under Inter-American Copyright Union

\*A Trademark of THE SINGER COMPANY

Insert in Form 21265(163), Singer Service Manual Class 262

Printed in U. S.

From the library of the University of Toronto





# LIST OF PARTS 262-2 MACHINE

PART NO.	DESCRIPTION	PART NO.	DESCRIPTION	PART NO.	DESCRIPTION
72(803)	Tension (looper thread) Releaser Slide Hinge Screw (2)	896(830)	Looper Holder Clamping Screw	52267	Feed Lifting Rock Shaft Slide Block 52266 with 125060
82(803)	Tension (looper thread) Releaser and Releaser Slide Screw	906(830)	Thread (looper) Take-up Stripper Set Screw	54070	Tension (needle thread) Bracket
110(803)	Tension (looper thread) Releaser Slide Connecting Link Hinge Screw	914(809)	Tension (looper thread) Thread Guard Screw	54071	Tension (needle thread) Releasing Shaft
110(803)	Tension (needle thread) Releasing Shaft Crank Connecting Link Hinge Screw (2)	965(805)	Bed Leg (back) Screw (2)	54242	Slack Thread Controller Clamp
144(804)	Arm Shaft (horizontal) Screw (back)	1029(809)	Thread (looper) Take-up Screw	54872	Tension (needle thread) Releasing Shaft Crank with 624(830)
157(805)	Oil Pump (centrifugal) Body Screw (3)	1036(830)	Needle Bar Connecting Link Hinge Stud Position Set Screw	54988	Tension (needle thread) Releasing Pin
157(809)	Feed Dog Screw	1057(830)	Presser Bar Guide Bracket Clamping Screw	59359	Tension (needle thread) Screw Stud 50326(803) with 51570(803)
157(819)	Feed Lifting Rock Shaft Crank (front) Clamping Screw	1133(830)	Needle Bar Bushing (lower) Set Screw	59456	Needle Bar Connecting Stud Slide Block Guide Screw Washer (2)
158(805)	Feed Bar Carrier Clamping Screw (2)	1133(830)	Needle Bar Bushing (upper) Set Screw	59537	Tension (looper thread) Spring Bushing (large)
161(811)	Presser Bar Lifting Lever Extension Screw (2)	1133(830)	Presser Bar Bushing (lower) Set Screw	59537	Tension (needle thread) Spring Bushing (large)
175(830)	Looper Ball Crank Pitman End Bearing (left) Cap Screw (2)	1259(830)	Bed Rotary Shaft Bevel Gear Set Screw (2)	59538	Tension (looper thread) Spring Bushing (small)
175(830)	Looper Ball Crank Pitman End Bearing (right) Body Cap Screw (2)	1259(830)	Arm Shaft (upright) Bevel Gear (upper) Set Screw (2)	59538	Tension (needle thread) Spring Bushing (small)
176(809)	Slack Thread Controller Clamp Screw	1259(830)	Arm Shaft (horizontal) Bevel Gear Set Screw (2)	59539	Tension (needle thread) Screw Stud 50326(803) with 51570(803)
176(809)	Presser Foot Screw	1259(830)	Looper Avoiding Eccentric Set Screw (2)	64342	Bed Rotary Shaft Collar with 454(830)
176(809)	Thread (needle) Eyelet (side of arm) Position Screw	1470(819)	Arm shaft (upright) Bevel Gear (lower) Set Screw (2)	125060	Feed Bar Slide Block Hinge Stud
176(805)	Feed Bar Carrier Hinge Pin Clamping Screw (2)	1470(819)	Bed Slide (right) Latch Guide Screw (2)	126150	Looper Holder Rock Shaft Bracket Screw Washer (2)
189(805)	Oil Pump (centrifugal) Screen Frame Screw (3)	1470(819)	Bed Slide (right) Spring Screw (2)	128551	Looper Ball Crank Pitman Ball Screw Stud (right) Nut Locking Plate
190(805)	Thread (looper) Take-up Stripper Plate Support Plate Screw (4)	1485(805)	Needle Bar Connecting Stud Slide Block Guide Screw (2)	131133	Looper
190(809)	Thread (looper) Take-up Stripper Staple Screw (2)	1518(809)	Feed Rock Shaft Connecting Rod Hinge Screw Nut	131134	Looper 131133 with 129(809) and 131135
190(809)	Needle Guard Holder Bracket Screw	1518(809)	Feed Lifting Rock Shaft Connecting Rod Hinge Screw Nut	131135	Looper Needle Guard with 46195
190(809)	Needle Guard Holder Screw	1520(809)	Looper Ball Crank Pitman Ball Screw Stud (right) Nut	131696	Tension (looper thread) Thread Guide
190(809)	Needle Guard Screw	1520(809)	Looper Ball Crank Pitman Ball Screw Stud (right) Nut	131696	Tension (needle thread) Thread Guide
193(805)	Oil Wick Holder Tube Bracket Screw	1547(809)	Tension (needle thread) Releasing Shaft Stop Screw Nut	131740	Tension (looper thread) Spring
197(811)	Oil Removing Wick (head end) Hinge Plate and Cover Screw (4)	1607(819)	Feed Dog Stop Screw Nut	131741	Tension (needle thread) Spring
197(811)	Feed Lifting Rock Shaft Oil Wick Clamping Plate Screw	1628(819)	Thread (looper) Thread Tube Screw Stud Nut	131888-001	Slack Thread Controller
197(805)	Feed Lifting Rock Shaft Oil Wick Clamping Plate Screw	1664(809)	Looper Ball Crank Pitman End Bearing (left) Nut	131928	Looper Ball Crank Connection Cap (upper) Screw Stud (2)
197(805)	Feed Rock Shaft Oil Wick Clamping Plate Screw	1735(803)	Looper Ball Crank Pitman End Bearing (left) Nut	132790	Looper Ball Crank Connection Cap (upper) Screw Stud Nut Lock Washer (2)
207(805)	Arm Shaft (horizontal) Flanged Bushing (back) Oil Sump Tube Holder Screw	2102	Tension (looper thread) Releaser and Releaser Slide Link Nut	139017	Looper Ball Crank Connection Ball Sleeve (two pieces)
207(830)	Thread (looper) Take-up Thread Guide (left) Screw	2102	Tension (needle thread) Disc (2)	139111	Arm Hole Plug Screw Washer (for use with 50608)
217(809)	Feed Eccentric Clamping Washer Screw (2)	4307	Tension Disc (looper thread) (2)	139111	Needle Bar Connecting Stud Slide Block
223(805)	Feed Lifting Rock Shaft Cap Screw (2)	7071	Bed Slide (left) Spring	139134	Presser Foot Plate (back) (3, 3/2 to 5, 3/2" gauges)
223(805)	Feed Rock Shaft Cap Screw (short)	7071	Thread (needle) Eyelet (side of arm) Position Screw Washer	139137	Presser Foot Shank
225(819)	Tension (needle thread) Screw Stud Hole Plug	7071	Feed Eccentric Clamping Washer (2)	139148	Thread (looper) Take-up Stripper Staple
228(805)	Feed Lifting Rock Shaft and Feed Rock Shaft Oil Wick Holder Screw	12982	Looper Ball Crank Pitman Rod Oil Shield Screw Washer	139158	Thread (needle) Thread Guide
228(805)	Feed Bar Carrier Oil Wick Holder Screw (2)	13994	Needle Bar Bushing (upper)	139462	Presser Bar
229(809)	Looper Needle Guard Screw	14475	Needle Bar Bushing (lower and upper) Oil Wick Clip (2)	139553	Needle Bar Connecting Link Screw Cap
229(809)	Thread (needle) Thread Guide Screw (2)	15444	Needle Bar Connecting Link Screw Cap Disc (fiber)	140050(809)	Face Plate Screw (upper)
231(805)	Looper Holder Rock Shaft Bracket Oil Plug Screw (back)	16532	Tension (needle thread) Releasing Shaft Stop Screw 110(533) with 1547(809)	140061(809)	Face Plate Screw (lower) (3)
237(809)	Thread (looper) Take-up Thread Guide (right) Screw	20799-302	Arm Dowell Pin (2)	140061(805)	Needle Bar Connecting Stud Clamping Screw
237(809)	Thread (looper) Take-up Stripper Plate screw	20799-301	Needle Bar Bushing (lower)	140180(809)	Thread Guide (front of arm) Screw
316(803)	Tension (needle thread) Releasing Shaft Stop Screw	21125-301	Tension (looper thread) Releaser Slide	140228(830)	Feed Rock Shaft Crank Clamping Screw
335(819)	Arm Top Cover and Stitch Regulator Cap Latch Screw	26276	Presser Foot Plate (back) Hinge Pin	140230(803)	Feed Lifting Rock Shaft Connecting Rod Hinge Screw
440(530)	Feed Lifting Eccentric Set Screw (3)	26276	Presser Foot Plate (front) Hinge Pin	140230(803)	Feed Rock Shaft Connecting Rod Hinge Screw
447(830)	Feed Lifting Rock Shaft Bushing (back) Set Screw	26276	Presser Foot Plate Connection Hinge Pin	140239(830)	Needle Set Screw
447(830)	Feed Lifting Rock Shaft Bushing (front) Set Screw	32572	Tension (needle thread) Releasing Disc	140239(809)	Slack Thread Controller Position Screw
447(830)	Feed Rock Shaft Bushing (back) Set Screw	37160	Presser Foot Plate Connection Spring	140296(830)	Oil Wick Position Bracket Screw
448(830)	Looper Holder Rock Shaft Bushing (front) Set Screw	46105	Looper Needle Guard Pin	140296(830)	Arm Shaft (horizontal) Flanged Bushing (back) Set Screw
448(830)	Looper Holder Rock Shaft Bushing (back) Set Screw	50027(809)	Thread (looper) Thread Tube Thread Guide Screw	140296(830)	Arm Shaft (horizontal) Bushing (center) Set Screw
448(830)	Looper Ball Crank Hinge Pin Set Screw (2)	50123(805)	Oil Pump (centrifugal) Impeller Locking Screw	140298(830)	Arm Shaft (upright) Bushing (lower) Set Screw
448(830)	Bed Rotary Shaft Bushing (back) Set Screw	50257(809)	Oil Flow Window Cap Screw (4)	140321(830)	Bed Rotary Shaft Oil Plug Screw
454(830)	Bed Rotary Shaft Collar Set Screw	50258(805)	Feed Rock Shaft Cap Screw (long)	140331(830)	Arm Shaft (horizontal) Flanged Bushing (front) Set Screw
457(830)	Arm Shaft (horizontal) Thrust Collar Set Screw (2)	50326(803)	Tension (needle thread) Screw Stud	140333(830)	Arm Shaft (horizontal) Bevel Gear Position Screw
460(830)	Feed Rock Shaft Collar Set Screw (2)	50328(803)	Feed Regulating Screw	140359(805)	Arm Shaft (horizontal) Screw Plug (front)
460(830)	Feed Lifting Rock Shaft Collar Set Screw (4)	50504(830)	Arm Shaft (upright) Bushing (upper) Set Screw	140359(805)	Feed Rock Shaft Oil Plug Screw
465(830)	Thread (looper) Take-up Set Screw	50554(830)	Bed Rotary Shaft Bushing (front) Set Screw	140439(805)	Looper Lifting Rock Shaft Oil Plug Screw
624(830)	Tension (needle thread) Releasing Shaft Crank Set Screw	50555(805)	Arm Shaft (horizontal) Plug Screw	140440(819)	Needle Bar Bushing (upper) Oil Plug Screw
624(830)	Looper Set Screw	50579(809)	Feed Bar Slide Block Oil Wick Holder Screw	140442(803)	Tension (looper thread) Screw Stud
624(830)	Feed Rock Shaft Bushing (front) Set Screw	50608(813)	Arm Hole Plug Screw (for access to Needle Bar Bushing Oil Wick)	140443(809)	Tension (needle thread) Bracket Screw
691(806)	Throat Plate Screw (2)	51061(830)	Feed Eccentric Body Set Screw (3)	140542(830)	Needle Bar Crank Position Screw
724(809)	Thread (needle) Eyelet (side of arm) Screw	51282(819)	Attachment Slide Spring Screw	140552(830)	Needle Bar Connecting Link Hinge Stud Clamping Screw
725(819)	Bed Slide (left) Spring Screw (2)	51283(830)	Machine Pulley Set Screw (2)	140553(805)	Oil Removing Wick (head end) Holder Body Hinge Screw
802(819)	Presser Bar Lifting Lever Hinge Screw	51320(830)	Looper Ball Crank Arm Clamping Screw	140610	Arm Hole Plug Screw
807(819)	Presser Bar Guide Bracket Lifter Hinge Screw	51369(813)	Arm Top Cover Screw (4)	140640(805)	Looper Holder Rock Shaft Bracket Oil Plug screw(front)
896(830)	Looper Ball Crank Connection Cap (lower) screw (2)	51369(805)	Oil Lead Screw	140695(819)	Feed Dog Stop Screw
896(830)	Looper Avoiding Eccentric Connection Clamping Screw (2)	51460(805)	Looper Ball Crank Pitman Rod Oil Shield Screw	140734(805)	Looper Holder Rock Shaft Bracket Screw (2)
		51570(803)	Tension (needle thread) Regulating Thumb Nut	141001(818)	Pressure Regulating Thumb Screw
		51570(803)	Tension (looper thread) Regulating Thumb Nut	141139(869)	Machine Base and Oil Reservoir Drain Plug
		51614(818)	Pressure Regulating Thumb Screw Nut	141286(805)	Feed Lifting Rock Shaft Crank (back) Clamping Screw
		51715(830)	Looper Ball Crank Connection Cap (upper) Screw Stud Nut (2)		
		51769(803)	Looper Ball Crank Pitman Rod Nut		
		52266	Feed Bar Slide Block		

from the library of: Darning Needle Co.

PART NO.	DESCRIPTION	PART NO.	DESCRIPTION	PART NO.	DESCRIPTION	
142358	Presser Foot Plate (front)	146115-001	Tension (looper thread) Releaser, Nos. 82(803), 1735(803), 21125-001, 146620, 146792, 146793, 146795, 146796, 146797 and two 72(803)	146626	Thread (looper) Take-up Stripper Plate Support Plate (2) NOTE: One No. 146626 screwed onto Machine Bed.	
142359	Presser Foot Plate Connection	146117	Tension (looper thread) Thread Guard	146627	Thread (looper) Take-up Thread Guide (left)	
142363	Feed Dog, for use with 126202 and 146248-001 or 146248-002	146120	Thread (needle) Take-up with 147079	146628	Thread (looper) Take-up Thread Guide (right)	
142385	Attachment Slide	146125	Needle Bar (hollow) with 140239(830)	146629	Thread (needle) Thread Guide Bracket	
142386	Attachment Slide complete, Nos. 51282(819), 142385 and 146874	146126	Needle Bar complete, Nos. 50579(819), 146125 and 146962	146632	Thread (looper) Thread Tube Thread Guide	
143015	Arm Shaft (upright) Bevel Gear (upper) left hand Spiral with two 1259(830)	146127	Bed Slide (right) Body	146640	Machine Pad (felt)	
143015	Arm Shaft (upright) Bevel Gear (lower) left hand Spiral with two 1259(830)	146131	Bed Slide (right) complete, Nos. 146127, 146688, 146689, 146690, 146691 and four 1470(819)	146657	Oil Pump (centrifugal) Screen	
143024	Bed Hole Plug	146148	Machine Base and Oil Reservoir with 141139(869)	146658	Oil Pump (centrifugal) Screen Frame	
143031	Feed Bar Carrier Oil Wick (felt) (For oiling Feed Bar Connecting Link)	146150	Machine Base and Oil Reservoir Gasket	146659	Oil Pump (centrifugal) Body	
143032	Feed Bar Carrier Oil Wick Holder	146151	Machine Base and Oil Reservoir	146671	Thread (looper) Thread Tube Screw Stud Nut Washer	
143039	Feed Lifting Rock Shaft Cap	146148 with 146150, 146245, 146640, 146693, 151560 and 151561 (Agents only)	146202	Presser Foot (triple hinged) complete, Nos. 37100, 139134 (3 32" to 5 32" gauges), 139137, 142358, 142359 and three 26276 for use with 142363 and 146248-001 or 146248-002 NOTE: No. 146202 is furnished as regular to the machine.	146676	Presser Bar Guide Bracket Lifter
143040	Feed Lifting Rock Shaft Connecting Rod	146225	Looper Holder Rock Shaft with 140439(805)	146688	Bed Slide (right) Latch	
143049	Feed Rock Shaft Connecting Rod	146226	Looper Holder Rock Shaft Bushing (back)	146689	Bed Slide (right) Latch Guide	
143052	Feed Lifting Rock Shaft and Feed Rock Shaft Oil Wick Holder	146227	Looper Holder Rock Shaft Bushing (front)	146690	Bed Slide (right) Latch Spring	
143061	Oil Flow Body Gasket (2)	146234	Looper Avoiding Eccentric Connection (forked) with two 89(830)	146691	Bed Slide (right) Spring	
143062	Oil Flow Window	146238	Thread (looper) Thread Tube	146693	Machine Base and Oil Reservoir Oil Return Wick	
143063	Oil Flow Window Cap	146240	Feed Bar	146694	Presser Bar Guide Bracket with 1057(830)	
143065	Oil Pipe Clamping Sleeve	146241	Feed Bar 146240 with 1607(819) and 146695(819)	146698	Oil Removing Wick (head end) Holder Body Spring	
143066	Oil Pipe Clamping Sleeve Nut	146244	Feed Lifting Rock Shaft Crank (front) 146889 with 50597(809), 52267, 146539 and 146581	146703	Needle Bar Bushing (lower and upper) Oil Wick Clamp and Retainer	
143071	Oil Pump (centrifugal) Body Position Pin (2)	146245	Machine Base and Oil Reservoir Oil Return Wick Position Pad (felt)	146730	Looper Ball Crank Pitman End Bearing (left) and two 175(830) (for Agents only)	
143073	Oil Pump (centrifugal) Impeller	146247	Throat Plate for use with 142357 and 146202	146741	Looper Holder 146018 with 1664(809), 146567 and two 175(830)	
143124	Oil Pipe Clamping Sleeve (4)	146248-002	Throat Plate for use with 146202	146743	Needle Guard Holder Bracket	
143125	Oil Pipe Clamping Sleeve Nut (4)	146505	Arm Shaft (upright) Bushing (lower)	146745	Oil Removing Wick (head end) Holder Body	
143126	Looper Holder Rock Shaft Bracket	146508	Arm Top Cover Gasket	146751	Presser Bar Bushing (lower)	
143126	Oil Pipe Clamping Sleeve Adaptor	146512	Machine Pulley with two 51283(830)	146790	Arm Shaft (horizontal) Flanged Bushing (back) Oil Sump Tube	
143126	Oil Pipe Clamping Sleeve Adaptor for 146024 (2)	146517	Bed Rotary Shaft Bevel Gear, right hand spiral with two 1259(830)	146792	Tension (looper thread) Releaser	
143126	Oil Pipe Clamping Sleeve Adaptor (fastened to Looper Ball Crank Hinge Pin)	146519	Bed Rotary Shaft Bushing (back)	146793	Tension (looper thread) Releaser Fastening Plate	
143236	Feed Rock Shaft Oil Plug Screw Washer (fiber)	146521	Bed Rotary Shaft Bushing (front)	146795	Tension (looper thread) Uncurler	
143236	Feed Lifting Rock Shaft Oil Plug Screw Washer (fiber)	146522	Bed Slide (left)	146796	Tension (looper thread) Uncurler Plate (back)	
143236	Arm Shaft (horizontal) Screw Plug, (front) Washer (fiber)	146539	Bed Slide (left) complete, Nos. 4307, 146521 and two 725(819)	146797	Thread (looper) Uncurler Plate (front)	
143372	Oil Lead	146550	Feed Bar Slide Block Oil Wick Holder	146864	Arm Shaft (horizontal) Bevel Gear with 140333(830) and two 1259(830)	
143447-001	Face Plate	146551	Looper Avoiding Eccentric with two 1259(830)	146867	Arm Top Cover	
143490	Needle Bar Bushing (lower and upper) Oil Wick	146552	Arm Screw Stud (back) (2)	146868	Arm Top Cover and Stitch Regulator Cap	
143491	Needle Bar Bushing (lower and upper) Oil Wick complete, Nos. 143490, 146703 and two 13994	146554	Looper Avoiding Eccentric Slide Block	146869	Arm Top Cover and Stitch Regulator Cap complete, Nos. 335(819), 146868, 146870 and 146871	
143492	Needle Bar Bushing (lower and upper) Oil Wick Guide Tube (inside face of arm)	146556	Looper Ball Crank	146870	Arm Top Cover and Stitch Regulator Cap Gasket	
143494-001	Needle Bar Connecting Link with 129533 and 143495	146557	Looper Ball Crank Connection with two 131428 (Agents only)	146871	Arm Top Cover and Stitch Regulator Cap Latch	
143495	Needle Bar Connecting Stud with 140061(805) and 146517	146558	Looper Ball Crank Connection with 132796, 146555, 164232 and two 131925 (for Agents only)	146874	Attachment Slide Spring	
143496	Needle Bar Connecting Stud Slide Block Guide	146559	Looper Ball Crank Hinge Pin	146881	Feed Bar Slide Block Oil Wick	
143510	Presser Bar Lifting Lever	146567	Looper Holder Bushing (eccentric)	146883	Feed Eccentric (adjustable) complete, Nos. 50328(803), two each 217(809), 7071 and three 51061(830)	
143511-002	Presser Bar Lifting Lever Spring	146593	Oil Flow Body	146889	Feed Lifting Rock Shaft Crank (front) with 137(819)	
143512-001	Presser Bar Spring	146597	Oil Pipe	146891	Feed Rock Shaft Oil Wick	
143543	Face Plate Gasket	146597	Oil Pipe complete from Oil Pump to Arm Shaft (horizontal) Center Bearing 146593 with 143055 and 143086 (Agents only)	146891	Feed Lifting Rock Shaft Oil Wick	
143570	Thread Guide (front of arm)	146600	Oil Pump (centrifugal) Cover	146892	Feed Lifting Rock Shaft Oil Wick (long)	
143619	Needle Bar Connecting Stud Oil Wick (felt)	146603	Thread (looper) Take-up Stripper Plate 146625 with 237(804), 13-148, 146623, 146624, 146626, 146628 and two 190(809)	146896	Feed Rock Shaft Oil Wick (long) Looper Ball Crank Arm with 51320(830)	
144443(804)	Tension (needle thread) Bracket Screw	146604	Oil Wick for oiling Looper Ball Crank Pitman End Bearing (left)	146911	Pair of Mated Gears for Upper Shaft, Nos. 143015 and 146864 (for Agents only)	
146013	Looper Holder with 924(830) and 896(830)	146605	Oil Wick Holder	146914	Feed Lifting Eccentric with three 440(830)	
146022	Oil Pipe with two each 143124 and 143125 for oiling Looper Rock Shaft Hinge Pin	146606	Oil Wick Position Bracket with 140239(830)	146919	Looper Ball Crank Pitman Head (right) 146948 with two 175(830) (for Agents only)	
146024	Oil Pump (centrifugal) Body 146659 with 146025 and two 143126	146612	Presser Bar Spring Guide Pin	146923	Looper Ball Crank Arm 146897 with 1320(809), 123551 and 146919	
146025	Oil Pump (centrifugal) Body Plug	146616	Pair of Mated Gears for Lower Shaft (Nos. 143015 and 146517) (for Agents only)	146947	Looper Ball Crank Pitman Rod Oil Shield	
146031	Thread (needle) Eyelet (side of arm)	146618	Tension (looper thread) Screw Stud 140442(809) with 31570(302)	146948	Looper Ball Crank Pitman Ball Screw Stud (right)	
146075	Arm shaft (horizontal) with 1336(830) and 140542(830)	146620	Tension (looper thread) Releaser	146962	Needle Bar Thread Guide	
146075	Arm shaft (horizontal) 146075 with 140359, 143236 and 143494-001	146622	Slide Connecting Link	146963	Looper Ball Crank Pitman Rod	
146077	Arm Shaft (upright)	146623	Tension (needle thread) Releasing Shaft Crank Connecting Link	146964	Looper Ball Crank Pitman Rod 146963 with 51769(803)	
146078	Bed Leg (back)	146624	Thread (looper) Take-up with 455(430)	147005-001	Arm Shaft (horizontal) Flanged Bushing (front)	
146079	Bed Leg (front, long)	146625	Thread (looper) Take-up Stripper Washer (fiber)	147022	Feed Bar Carrier with two each 158(805) and 176(805)	
146081	Bed Rotary Shaft	146626	Thread (looper) Take-up Stripper Washer (fiber)	147023	Feed Bar Carrier Hinge Pin	
146091	Feed Rock Shaft	146627	Thread (looper) Take-up Stripper Washer (fiber)	147024	Feed Bar Carrier Oil Wick Holder	
146092	Feed Rock Shaft, Nos. 197(805), 140359(805), 143236, 146091, 146891, 146896, 147047 and length of 122" Wicking	146628	Thread (looper) Take-up Stripper Washer (fiber)	147028	143032 with 143031	
146094	Feed Lifting Rock Shaft Crank with 140228(830)	146629	Thread (looper) Take-up Stripper Washer (fiber)	147028	Feed Rock Shaft Bushing (back)	
146095	Feed Lifting Rock Shaft	146629	Thread (looper) Take-up Stripper Washer (fiber)	147029	Feed Lifting Rock Shaft Bushing (back)	
146096	Feed Lifting Rock Shaft, Nos. 197(805), 140359(805), 143236, 146095, 146891, 146892, 147047 and length of 122" Wicking	146630	Thread (looper) Take-up Stripper Washer (fiber)	147029	Feed Rock Shaft Collar with two 460(830)	
146097	Feed Rock Shaft Bushing (front)	146631	Thread (looper) Take-up Stripper Washer (fiber)	147037	Feed Lifting Rock Shaft Collar with two 460(830) (2)	
146098	Feed Rock Shaft Cap	146632	Thread (looper) Take-up Stripper Washer (fiber)		Feed Lifting Rock Shaft Oil Wick (short) (2) (for Agents)	
146099	Feed Rock Shaft Crank with 140228(830)	146633	Thread (looper) Take-up Stripper Washer (fiber)			
146103	Looper Holder Hinge Pin	146634	Thread (looper) Take-up Stripper Washer (fiber)			
146106	Looper Holder Hinge Pin Spacer	146635	Thread (looper) Take-up Stripper Washer (fiber)			
146108	Needle Guard	146636	Thread (looper) Take-up Stripper Washer (fiber)			
146109	Needle Guard Holder	146637	Thread (looper) Take-up Stripper Washer (fiber)			
146110	Oil Pipe with two each 143124 and 143125	146638	Thread (looper) Take-up Stripper Washer (fiber)			
146111	Presser Bar Lifting Lever Extension	146639	Thread (looper) Take-up Stripper Washer (fiber)			

PART NO.	DESCRIPTION
147042	Feed Lifting Rock Shaft Bushing (front)
147045	Feed Rock Shaft Oil Wick (short) (2) For Agents
147047	Feed Lifting Rock Shaft Oil Wick Clamping Plate
147047	Feed Rock Shaft Oil Wick Clamping Plate
147055	Oil Removing Wick (head end) Hinge Plate and Cover Gasket
147070	Arm Hole Plug Screw Washer (for use with 140610)
147079	Thread (needle) Take-up Thread Eyelet Bushing
147107	Oil Removing Wick (head end)
147109	Looper Holder Rock Shaft Bracket
	Oil Plug Screw (front) Washer (fiber)
147111-001	Arm Shaft (upright) Bushing (upper)
147112-001	Arm Shaft (horizontal) Flanged Bushing (back)
147468	Arm Shaft (horizontal) Thrust Collar with two 457(830)
149205	Oil Removing Wick (head end) Hinge Plate and Cover
149206	Oil Removing Wick (head end) Holder Body complete, Nos. 140553(805), 146698, 146745, 147055, 147107 and 149205
151560	Machine Pad (felt, left back)
151561	Machine Pad (felt, left front)
152503	Arm Shaft (horizontal) Bushing (center)
164232	Looper Ball Crank Connection Ball Sleeve Guide

## ACCESSORIES

PART NO.	DESCRIPTION
12361	Machine Hinge Connection (2)
151159	Machine Rest Pad (rubber)
232333(805)	Machine Rest Pad Nail
41564	Machine Rest Pin
120344	Oiler (with spout)
121741	Quart Can (light grade) Oil
120341	Tweezers (curved)
<b>KNEE LIFTER PARTS</b>	
146168	Chain, length 13-1/2 in. with hooks
12501	Chain Pulley
141054(850)	Chain Pulley Hinge Screw Stud
1608(850)	Chain Pulley Hinge Screw Stud Nut
146169	Rock Shaft
146171	Rock Shaft Crank Gollar
143283	Rock Shaft Knee Arm
147489	Rock Shaft Knee Arm Hub
2767	Rock Shaft Knee Arm Plate
146236	Rock Shaft Lifting Lever
146768	Rock Shaft Spring
1115(819)	Rock Shaft Spring Screw
147483	Rock Shaft Stop Dog (2)
<b>FOOT LIFTER</b>	
(Furnished on request in place of Knee Lifter Parts)	
150452	Foot Lifter Treadle, complete